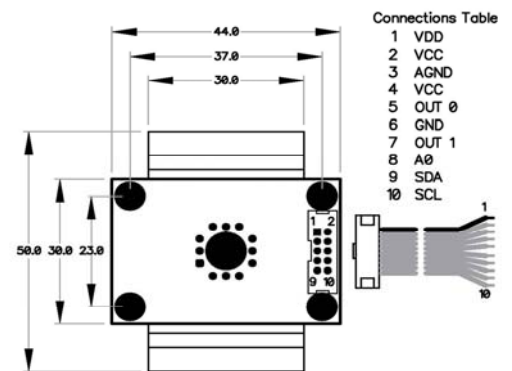
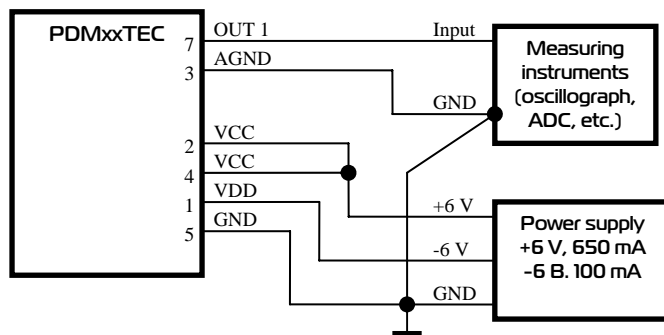


# Infrared detection module with Transimpedance Amplifier and TEC controller

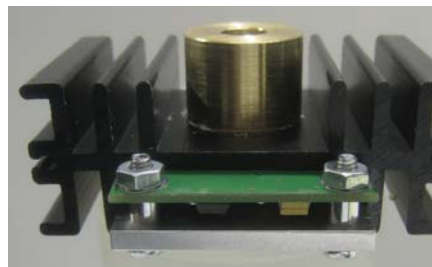
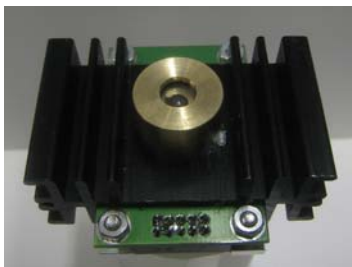
**PDMxxTEC**

Type	PDM34TEC	PDM38TEC	PDM42TEC	PDM47TEC	PDM55TEC
Used Photodiode	PD34	PD38	PD42NB/WB	PD47NB/WB	PD55
Peak wavelength, $\mu\text{m}$	3.4	3.8	4.0÷4.2	4.5÷4.7	5.3÷5.5
Photosensitive area, mm/Field of view, deg.	$\varnothing 3.2 / \sim 15$				
Current/voltage conversion coefficient, V/A	1E4 ÷ 2.5E5				
Maximum output voltage, V	2.5				
$U_{\text{rms}}$ , mV	~2÷5				
External power supply, V	+/- 6				
Frequency response, MHz	DC ÷ 1				
Photodiode stabilization temperature	20 °C				

Wiring circuit diagram



Product view



1. VDD	Power supply input (-6 V, peak current 100 mA)
2. VCC	Power supply input (+6 V, peak current 650 mA)
3. AGND	Ground for analog signal
4. VCC	Positive power supply. Have to be connected with Pin 2.
5. OUT 0	Analog output 1 (Not used)
6. GND	Power ground
7. OUT 1	Analog output 2 (-2.5 V ÷ +2.5 V)
8. A0	Interface I2C (Not used))
9. SDA	
10. SCL	

**ATTENTION! Ground for analog signal have to be connected with Power ground!**

Product specifications are subject to change without prior notice due to improvements or other reasons. Updated 01.06.14



ООО «ИюффеЛЕД»  
ioffeLED, Ltd

Politechnicheskaya 26,  
St.Petersburg, 194021, RUSSIA

<http://www.ioffeled.com>; e-mail: Mremenny@mail.ioffe.ru  
<http://www.mirdog.spb.ru>; e-mail: bmat@iropt3.ioffe.ru