

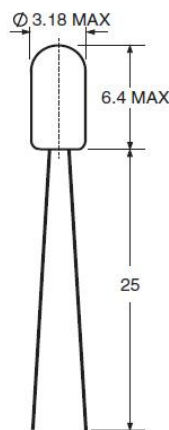
LAMP FOR NDIR SENSOR

Miniature Lamp

TYPE	Voltage (V)	Current (mA)	MSCP	Filament type	lifetime	package
IR715	5	115±10%	0.15±15%	C-2R	40,000	A
IR683	5	60±10%	0.05±15%	C-2R	100,000	A
IR715EN	5	115±10%	0.15±15%	CC-6	40,000	C
IR7153EN	5	115±10%	0.15±15%	CC-6	40,000	D
IR6833EN	5	60±10%	0.05±15%	CC-6	100,000	D
IR715EN-PR	5	115±10%	0.15±15%	CC-6	40,000	E

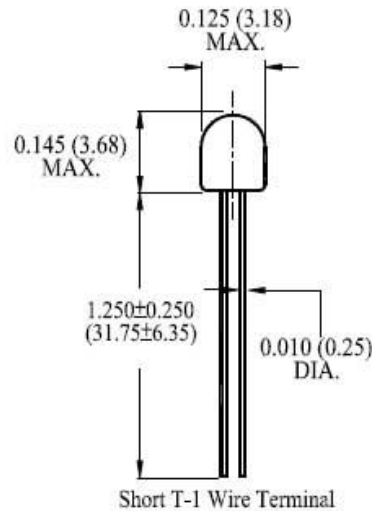
PACKAGE:

A:T-1



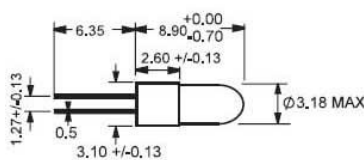
T-1 Wire Lead

B:short T-1



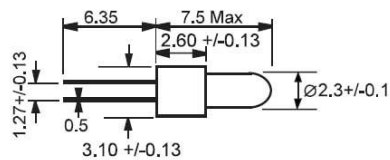
Short T-1 Wire Terminal

C: T-1



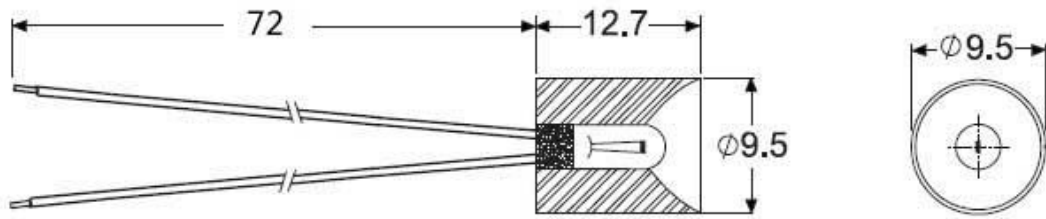
Bi-Pin

D:T-4/3



Bi-Pin

E:T-1



Relative Spectral Radiation:

