



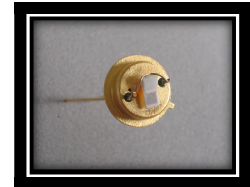
HawkEye Technologies, LLC
Your **Source** for **Infrared**

www.hawkeyetechnologies.com

181 Research Drive, #8
Milford, CT 06460
Phone: 203-878-6892
Fax: 203-878-7462

Infrared Source Series 4x

- Thin Film Laser Trimmed
- IR-40 operates at 600°C with 4.0 watts input
- IR-43 operates at 600



The HawkEye Technologies IR-40 Series thin film units operate at approximately 600° C when powered with 4.0 watts for the IR-40 and 1.3 watts for the IR-43. The radiating element is an approximately 1.5 micron thin film of precision laser trimmed resistance material. The IR-40 element is permanently bonded to a flat substrate of alumina forming a stable platform. This contributes to a uniform radiating source. The unit does not require operation in a sealed atmosphere. The thin film design results in a low mass of radiation material.

The IR-40 unit is attached to a TO-5 header with high temperature cement. This unit is also offered without a cap (as an IR-40NC) and with a cap and sapphire window (as an IR-40S). For alternative mounting, it is also offered attached to a flat, butterfly shaped, steel header (as an IR-42).

The IR-43 unit is free standing on a TO-5 header. It requires less power to achieve the same temperatures as the IR-40. Without a directly connected mass to draw off heat, it is more responsive.

Recommended Operating Parameters

	IR-40	IR-43
Voltage	35.0 volts (AC or DC)	14.0 volts (AC or DC)
Temp	600° C	600°C
Current	0.11 Amperes	0.09 Amperes
Power	4.0 watts	1.3 watts
Life	3+ years at 600° C typical	3+ years at 600° C typical
Emissivity	0.80	0.80
Active Area	3.5 mm X 2.5 mm	1.5 mm X 1.5 mm

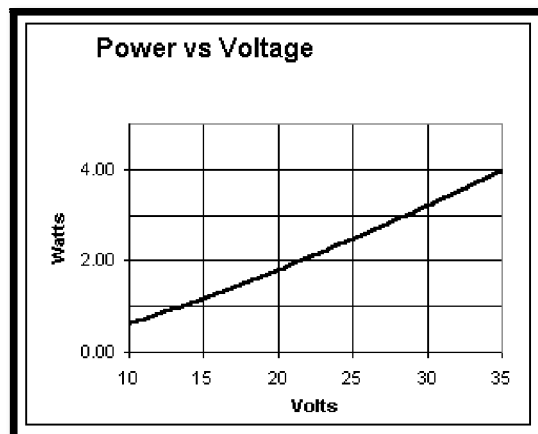
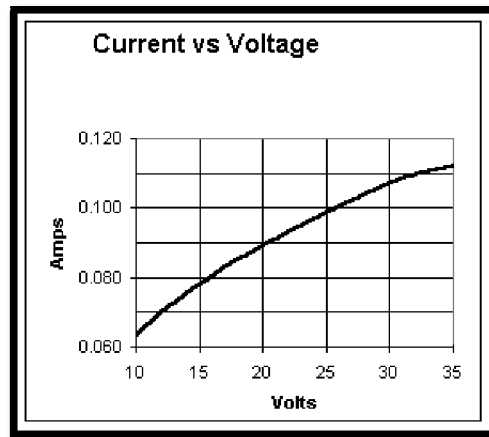
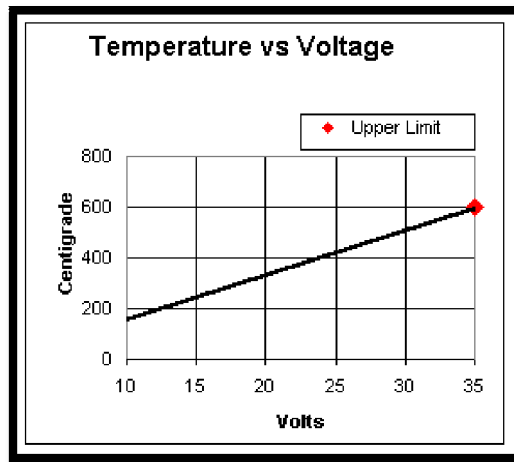


HawkEye Technologies, LLC
Your **Source** for **Infrared**

www.hawkeyetechnologies.com

181 Research Drive, #8
Milford, CT 06460
Phone: 203-878-6892
Fax: 203-878-7462

HawkEye IR-40 Engineering Data Charts



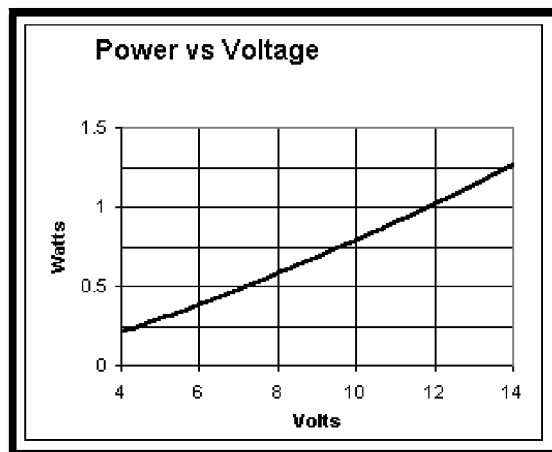
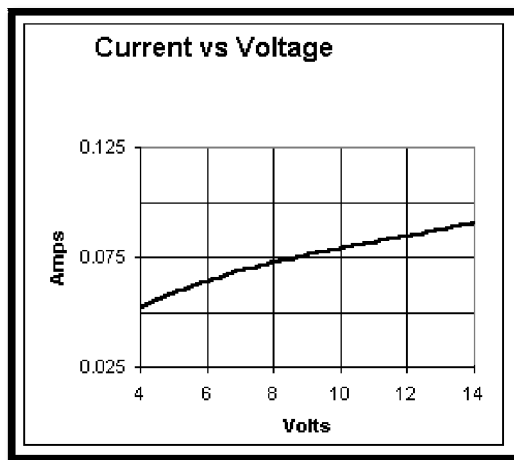
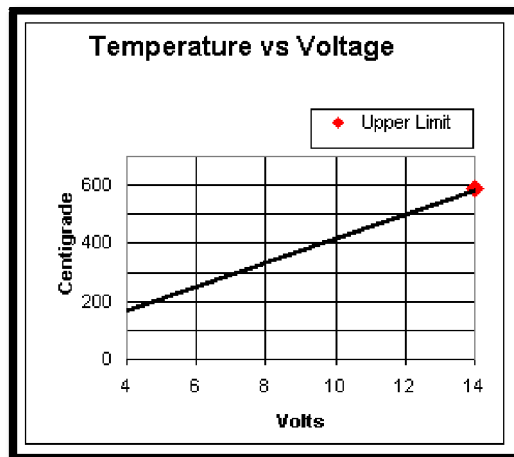


HawkEye Technologies, LLC
Your **Source** for **Infrared**

www.hawkeyetechnologies.com

181 Research Drive, #8
Milford, CT 06460
Phone: 203-878-6892
Fax: 203-878-7462

HawkEye IR-43 Engineering Data Charts

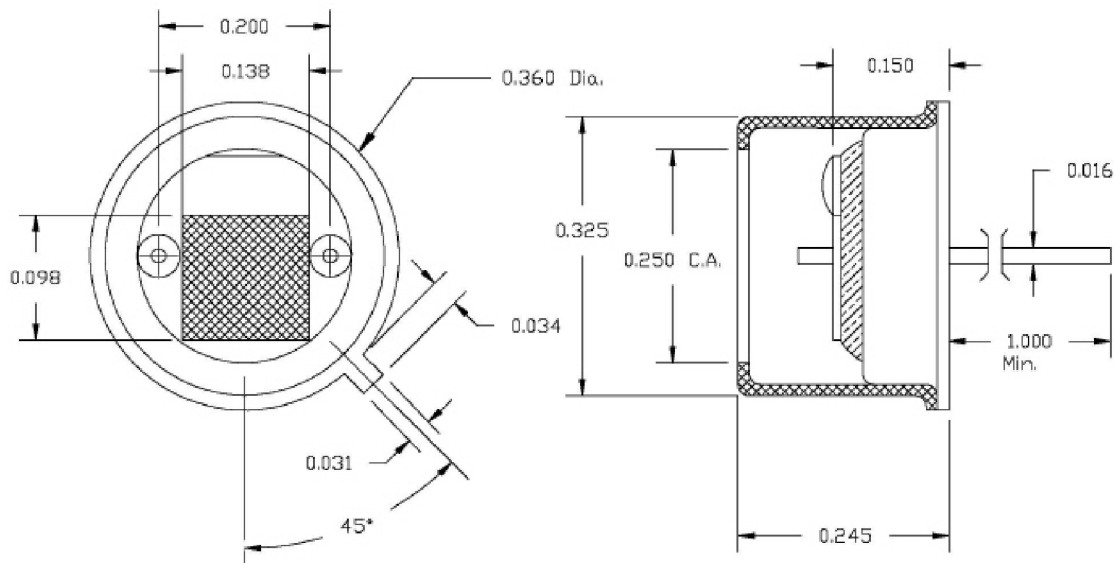




HawkEye Technologies, LLC
Your **Source** for **Infrared**

www.hawkeyetechnologies.com

181 Research Drive, #8
Milford, CT 06460
Phone: 203-878-6892
Fax: 203-878-7462



IR-40 Emitter

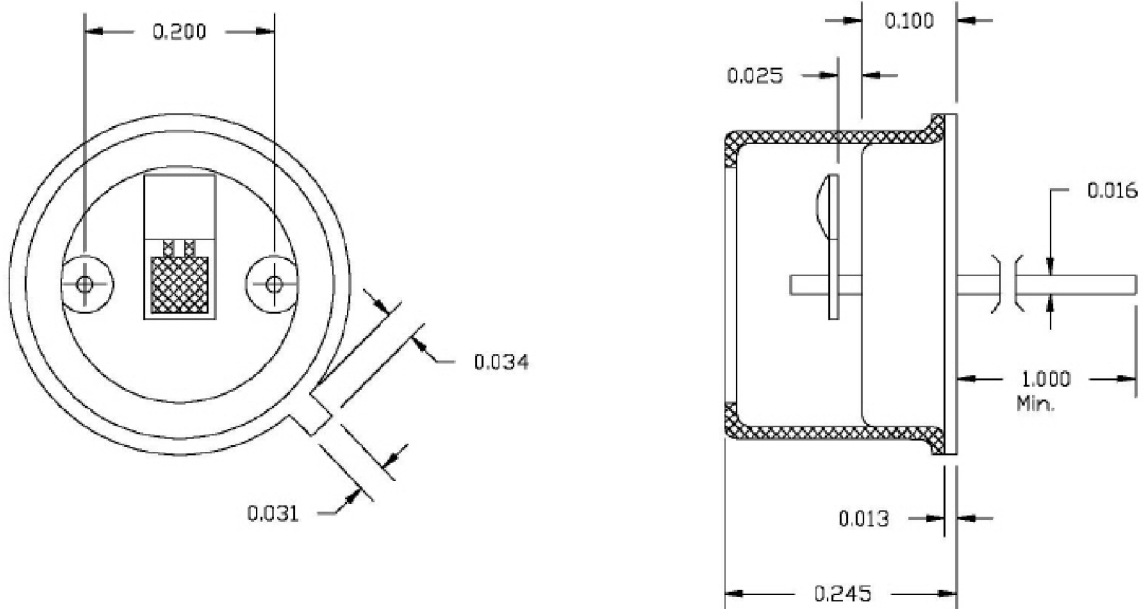
Note: all dimensions in inches.



Hawkeye Technologies, LLC
Your **Source** for **Infrared**

www.hawkeyetechnologies.com

181 Research Drive, #8
Milford, CT 06460
Phone: 203-878-6892
Fax: 203-878-7462



IR-43 Emitter

Note: all dimensions in inches.